



Power Bridge Installation

Before installation, write down your current thermostat and furnace wiring configurations and then compare with the wiring diagrams on the reverse side of this page.

My Thermostat Wires:

--	--	--	--	--	--	--	--	--	--	--

My Furnace Wires:

--	--	--	--	--	--	--	--	--	--	--

We're here to help! Please contact our technical support team for assistance:

PHONE: 856-234-8803

LIVE CHAT: [LuxProducts.com/support](https://luxproducts.com/support)

EMAIL: [techsupport@LuxProducts.com](mailto:techsupport@luxproducts.com)

VIDEOS: [LuxProducts.com/videos](https://luxproducts.com/videos)

SUPPORT HOURS: 8am to 6pm Eastern Time, Monday through Friday



Power Bridge Installation

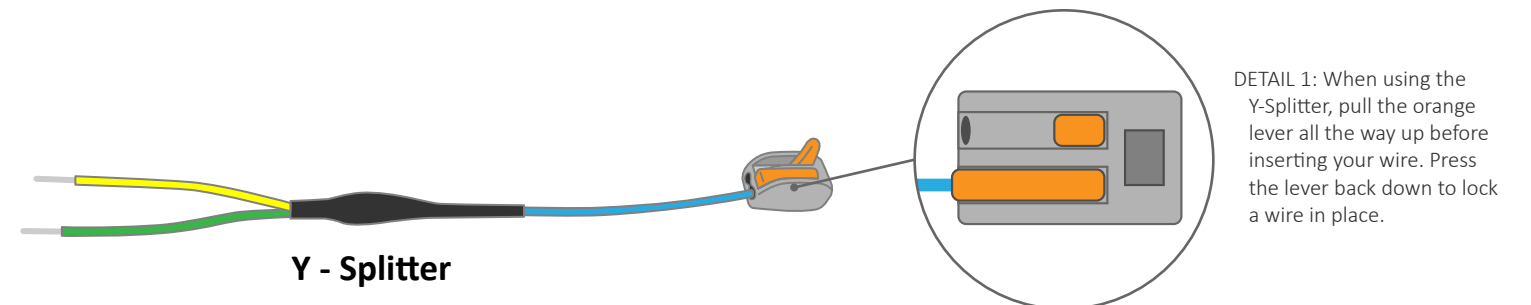
Installation

The LUX Power Bridge is installed at your furnace, and is for 24V applications that do not have a C-wire at the thermostat.

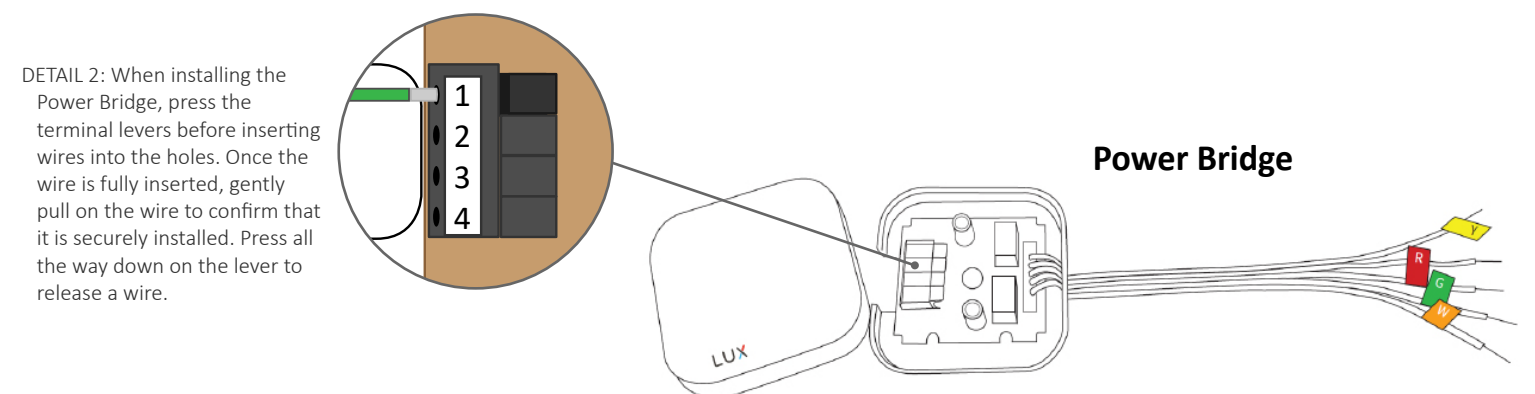
IMPORTANT: TURN THE POWER OFF AT THE CIRCUIT BREAKER FOR BOTH YOUR HEATING AND COOLING SYSTEMS BEFORE PERFORMING ANY WIRING.

Take a photo of the wiring at both your thermostat and your furnace. The Power Bridge cannot be used with 2-wire applications, and requires at least cooling or heating wires and a fan "G" wire at the thermostat. If you have more wires (multi-stage systems) than are needed for installing the Power Bridge, leave them attached as they are. Please review the wiring diagrams on the next page to see how to reconfigure the wires between your furnace/ air handler and thermostat.

AT YOUR THERMOSTAT – Use the thermostat wire labels to identify each thermostat wire with its current terminal letter (you can also write down your current wiring configuration using the space on the back of this guide). If any of your thermostat wiring connections are unclear, please call LUX Technical Support.



AT YOUR FURNACE (AIR HANDLER) – Remove the door panel and locate your control board. Use the additional wire labels to identify each wire from your thermostat with its terminal letter on the control board. If any of your furnace wiring is unclear, please call LUX Technical Support. Depending upon your application, some wires attached to the control board will remain in place and will not be used with the LUX Power Bridge.

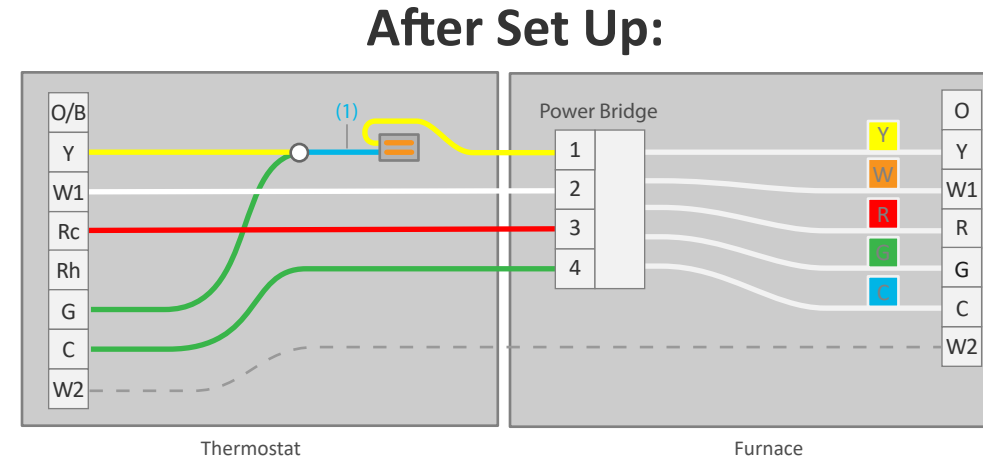
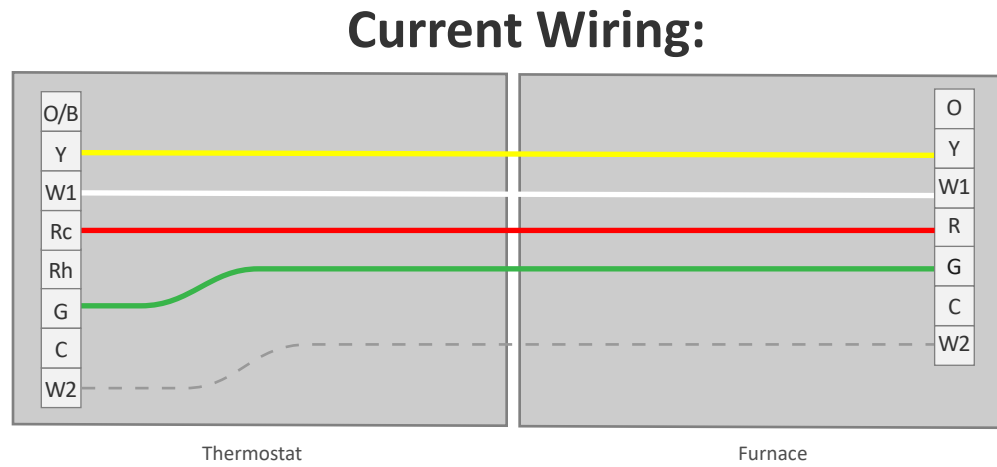


Wiring Diagrams

System:

Conventional Systems

Most common wiring configurations for this system type have the following wires:

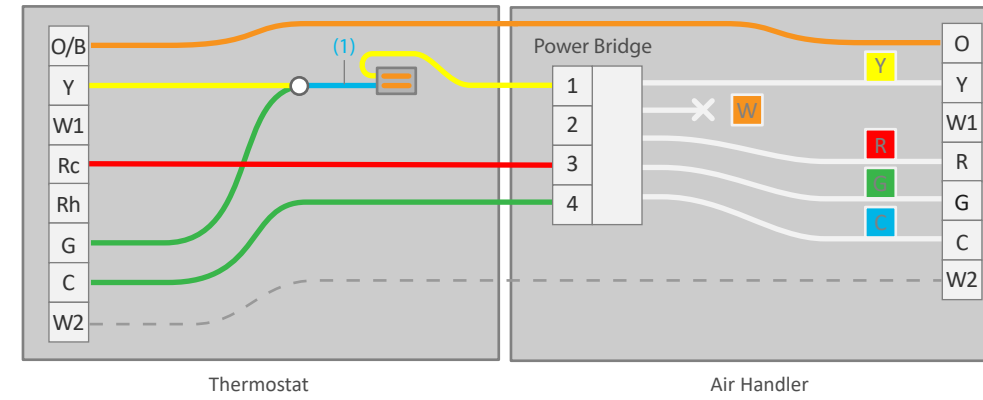
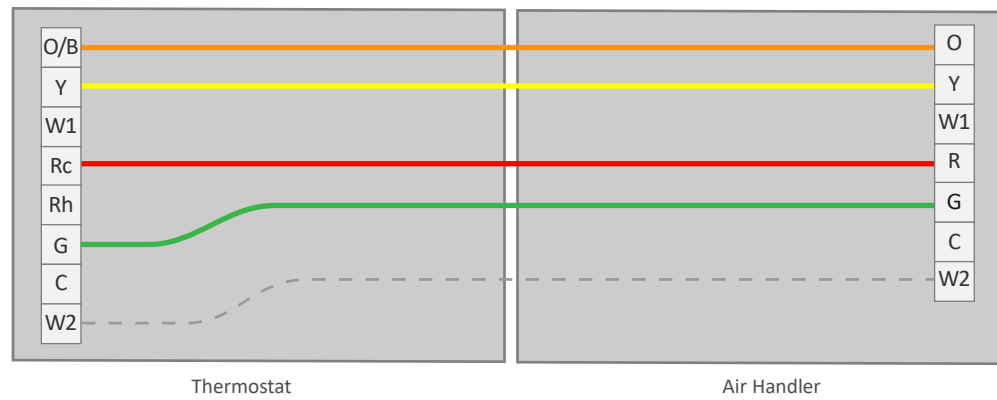


Notes:

- If your system provides a second stage of heating, you may have a W2 wire. You can leave this wire as-is in your furnace and connect it to the W2 block on your new thermostat.
- If you have two R wires (R, Rc, or Rh), please call LUX Technical Support for assistance with your installation.
- Connect your old Y wire to the empty hole next to the blue end of the y-splitter (1). Snap the orange lever shut to secure the wire in its place. Insert the yellow end of the y-splitter into the thermostat's Y terminal and the green wire into the G terminal.
- Move your old G wire to the C terminal on your thermostat.

Heat Pump Systems

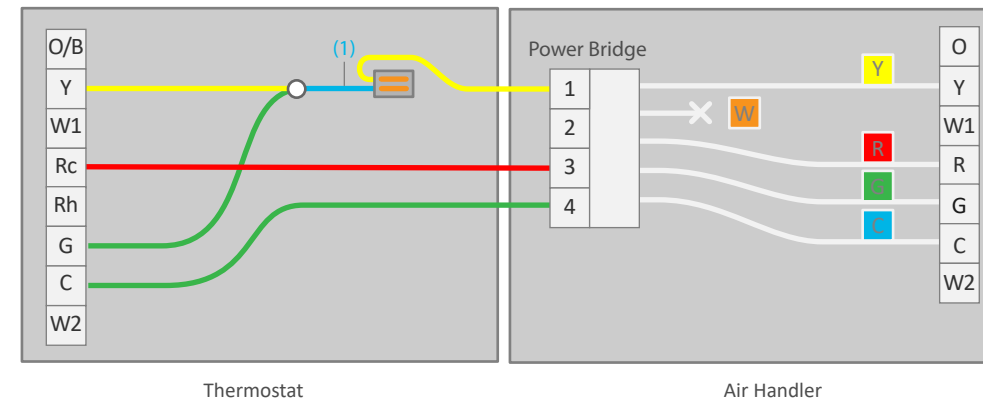
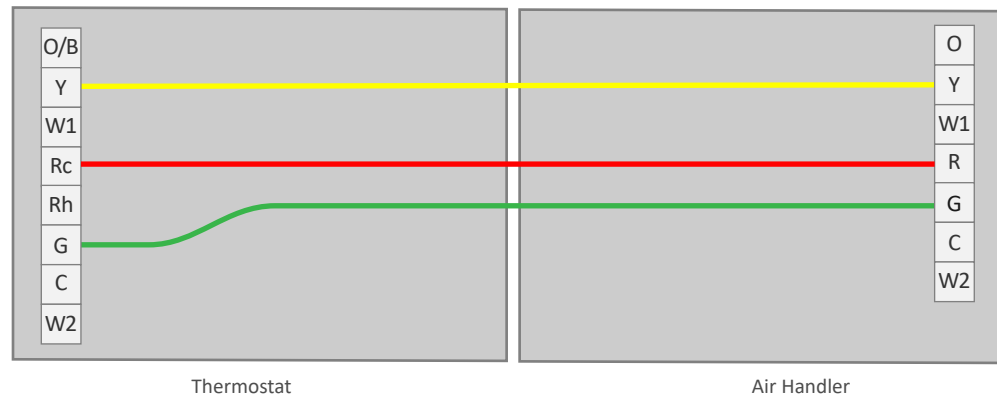
Most common wiring configurations for this system type have the following wires:



- If your system provides a second stage of heating, you may have a W2 wire. You can leave this wire as-is in your furnace and connect it to the W2 block on your new thermostat.
- You may or may not have a W1 terminal block on your control board. Do not connect the Power Bridge's "W" wire to any terminal block on your control board.
- Connect your old Y wire to the empty hole next to the blue end of the y-splitter (1). Snap the orange lever shut to secure the wire in its place. Insert the yellow end of the y-splitter into the thermostat's Y terminal and the green wire into the G terminal.
- Move your old G wire to the C terminal on your thermostat.

Cool Only Systems

Most common wiring configurations for this system type have the following wires:



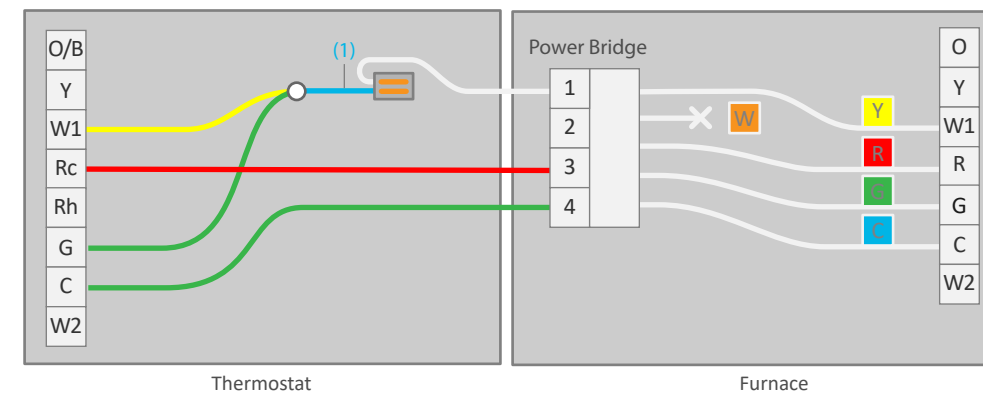
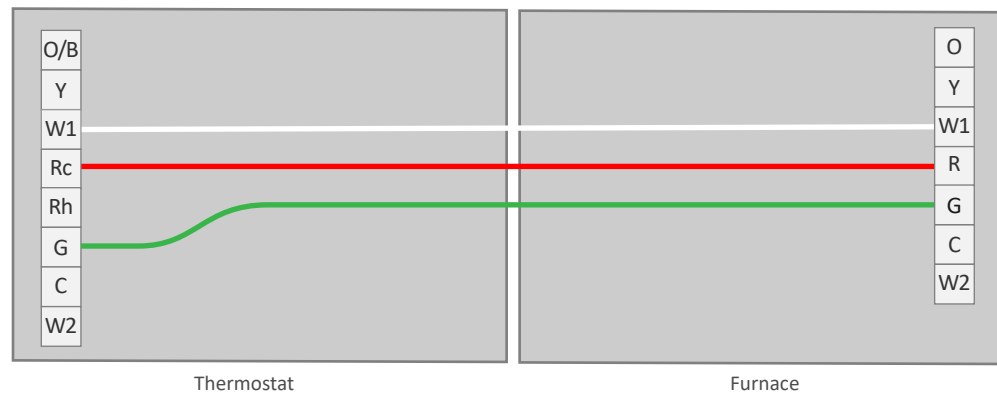
- The Power Bridge's "W" wire is not used for this system- do not connect it to your control board.
- Connect your old Y wire to the empty hole next to the blue end of the y-splitter (1). Snap the orange lever shut to secure the wire in its place. Insert the yellow end of the y-splitter into the thermostat's Y terminal and the green wire into the G terminal.
- Move your old G wire to the C terminal on your thermostat.

Heat Only Systems

Most common wiring configurations for this system type have the following wires:



NOTE: If you do not have a G wire, then the Power Bridge is not compatible with your system.



- For this system type, you will need to connect the Power Bridge's "Y" wire to the W1 terminal block on your control board. **Relabel the yellow tab on the Power Bridge's Y wire with one of the included W wire stickers.** You will not use the Power Bridge's "W" wire for this system.
- Connect your old W wire to the empty hole next to the blue end of the y-splitter (1). Snap the orange lever shut to secure the wire in its place. Insert the yellow end of the y-splitter into the thermostat's W terminal and the green wire into the G terminal.
- Move your old G wire to the C terminal on your thermostat.